

# SPECS

PEAVEY ELECTRONICS

## PVM™ 38i Unidirectional Dynamic Microphone

### SPECIFICATIONS

**Element Type:**

Dynamic (with Hum Compensation Coil)

**Polar Pattern:**

Cardioid

**Impedance:**

Low (300 ohms  $\pm 20\%$ )

**Frequency Response:**

50 to 16,000 Hz

**Sensitivity:**

Output Power Level

-56 dB (0 dB = 1 mW/10 microbar\*)

Open Circuit Voltage

-75.5 dB (0 dB = 1 V/microbar\*)

**Hum Induction:**

Equivalent to 9.0 dB SPL

(Hum output of microphone in a 1 millioersted hum field is equal to its output from a 9.0 dB SPL acoustic source)

**Case (Housing):**

Black solid metal

**Windscreen:**

Brazed steel mesh with dual Integral foam pop filters

**Connector:**

3-pin XLR

**Weight:**

7 oz. (198.5 grams)

**Furnished Accessories:**

Swivel adaptor, foam windscreen, and soft carrying pouch

\*10 microbars = 1 pascal = 10 dynes/cm\*

**FEATURES**

- Clean, well balanced sound
- Very low handling and stand noise
- Uniform off-axis rejection
- Hum-bucking coil to reject induced electrical noise



- Dual stage pop filtering
- \* Robust construction
- External windscreen, stand adaptor and soft carrying pouch supplied

**DESCRIPTION**

The PVM™ 381 is a unidirectional dynamic microphone with features and performance optimized for hand-held vocal excellence.

The frequency response is carefully tailored to provide a proper balance

between low frequencies and the mid-high presence rise — resulting in a clean, natural sound that can become as sultry or forceful as the performer desires.

**PEAVEY®**

The PVM™ 38i also features a refined shock suspension which provides a very low sensitivity to annoying handling and stand noises.

Feedback and coloration from nearby monitors or the house system are effectively controlled by the very uniform cardioid directional properties.

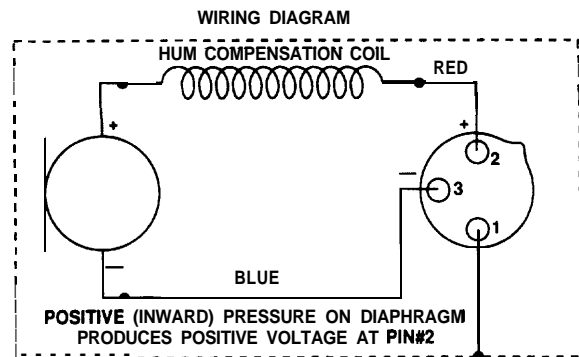
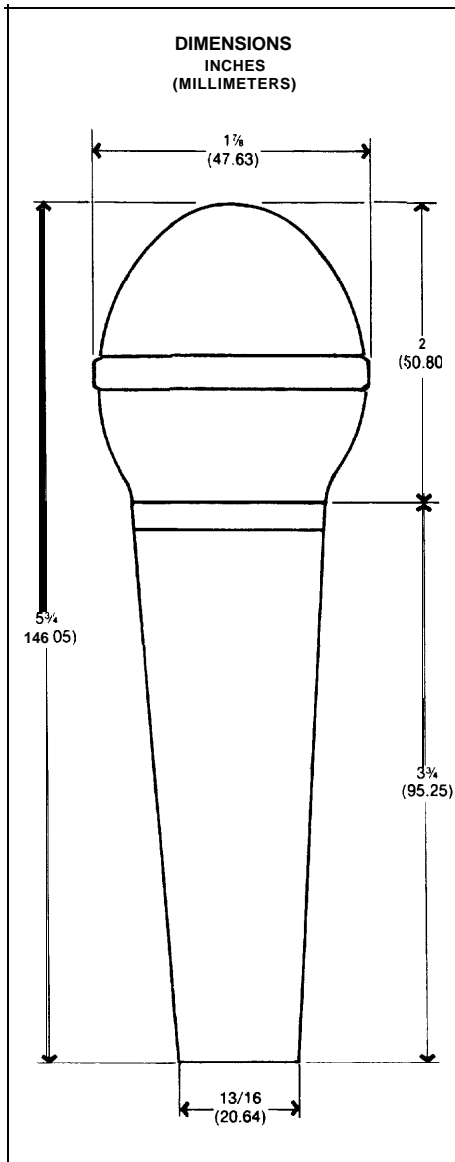
And the PVM 38i is rugged! With a tough metal handle and brazed steel wire outer grille, this microphone comes ready for the road.

The compact, handsome PVM 38i offers all that is needed for top vocal performance in any venue.

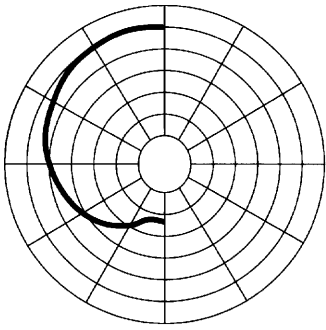
### ARCHITECTURAL & ENGINEERING SPECIFICATIONS

The microphone shall be a moving coil dynamic type with a frequency response of 50 Hz to 16,000 Hz. The microphone shall have a cardioid polar characteristic with a rear response that is about 20 dB down. The microphone shall have an output power level of -56.0 dBm where 0 dB = 1 milliwatt per 10 microbar and nominal impedance rating of 300 ohms.

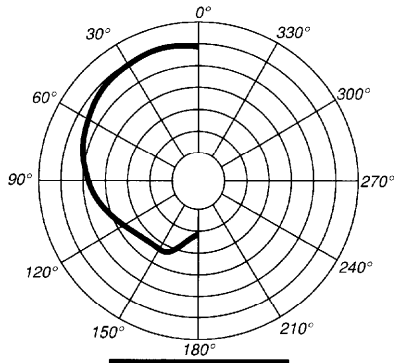
The microphone shall have a non-reflecting black finish on a solid metal case and a brazed metal screen. The connector shall be a 3-pin XLR equivalent audio type and a swivel adaptor shall be provided to mount on a stand having  $\frac{5}{8}$ " 27 thread. The microphone shall have overall dimensions of  $5\frac{3}{4}$ " in length and  $1\frac{7}{8}$ " in diameter. The microphone shall be a Peavey model PVM™ 38i or equivalent.



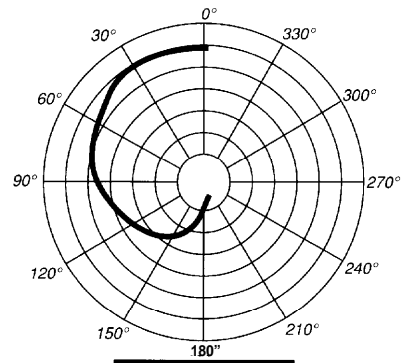
5 dB per division



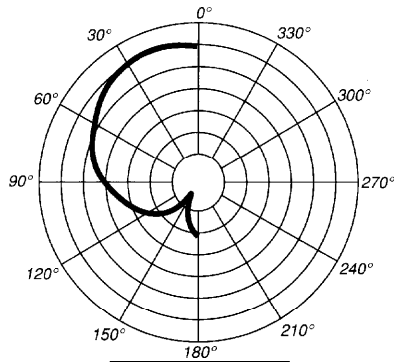
125 Hz



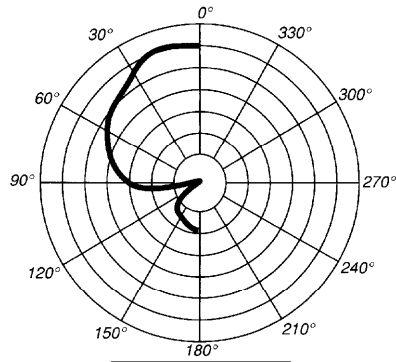
500 Hz



1,000 Hz

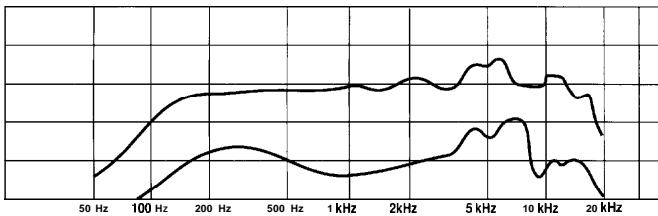


5 kHz



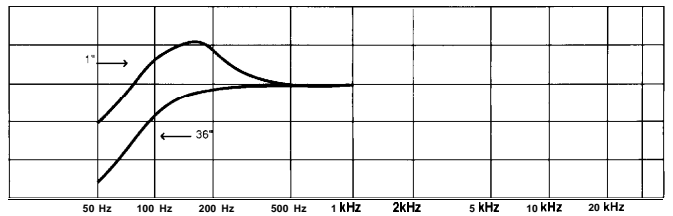
10 kHz

### Frequency Response



0° & 180° Frequency Response

### Proximity Effect



## PEAVEY MICROPHONE LIMITED WARRANTY/REMEDY

PEAVEY ELECTRONICS CORPORATION ("Peavey") warrants this microphone to the original retail purchaser to be free from defects in material and workmanship for a period of one (1) year from date of purchase; provided, however, that the existence of this limited warranty is subject to the conditions, exclusions and limitations hereinafter set forth.

In case of a covered defect in material or workmanship, Peavey will repair or replace the microphone, at Peavey's option, provided that consumer:

(a) brings the defective microphone to any Peavey Authorized Dealer or Service Center and presents therewith a copy of the sales receipt or other proof of purchase. If the DEALER or SERVICE CENTER is unable to provide the necessary warranty service, the consumer will be directed to the nearest other PEAVEY AUTHORIZED DEALER or SERVICE CENTER which can provide such service; or

(b) returns the defective microphone, shipping charges prepaid, to Peavey Electronics Corporation, 711 A Street, Meridian, Mississippi, and includes therewith a written description of the problem, a copy of the sales receipt or other proof of purchase and consumer's complete return address.

If the defect is remedial under this limited

warranty and the other terms and conditions expressed herein have been complied with, Peavey will provide the necessary warranty service to repair or replace the microphone and will return it, freight collect, to the consumer.

Under no circumstances will Peavey be liable for any lost profits, lost savings or other consequential or incidental damages arising out of the use or inability to use the product, even if Peavey had been advised of the possibility of such damages.

THIS LIMITED WARRANTY IS IN LIEU OF ANY AND ALL WARRANTIES, EXPRESSED OR IMPLIED, INCLUDING, BUT NOT LIMITED TO, THE IMPLIED WARRANTIES OF MERCHANTABILITY AND FITNESS FOR PARTICULAR USE; provided, however, that upon compliance with the other terms and conditions necessary to the existence of the express limited warranty, such implied warranties are not disclaimed during the applicable one year period from date of purchase of this product.

SOME STATES DO NOT ALLOW LIMITATIONS ON HOW LONG AN IMPLIED WARRANTY LASTS OR THE EXCLUSION OR LIMITATION OF INCIDENTAL OR CONSEQUENTIAL DAMAGES, SO THE

ABOVE LIMITATIONS OR EXCLUSIONS MAY NOT APPLY TO YOU. THIS LIMITED WARRANTY GIVES YOU SPECIFIC LEGAL RIGHTS, AND YOU MAY ALSO HAVE OTHER RIGHTS WHICH MAY VARY FROM STATE TO STATE.

In the event any modification or disclaimer of express or implied warranties or any limitation of remedies contained herein conflicts with applicable law, then such modification, disclaimer or limitation as the case may be, shall be deemed to be modified to the extent necessary to comply with such law.

Peavey Electronics Corporation gives this limited warranty only with respect to Peavey microphones purchased in the United States of America. This limited warranty shall be void and of no effect if:

(a) first purchase of the product is for the purpose of resale; or

(b) the original retail purchase is not made from an AUTHORIZED PEAVEY DEALER; or

(c) the product has been damaged by accident or unreasonable use, neglect, improper service or maintenance, or other causes not arising out of defects in material or workmanship.



Features and specifications subject to change without notice.